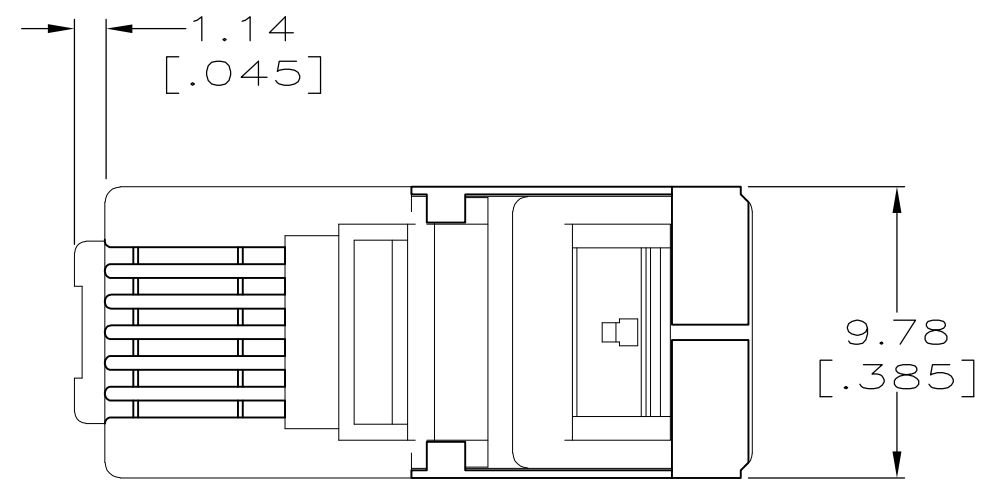


THIS DRAWING IS UNPUBLISHED. RELEASED FOR PUBLICATION
 © COPYRIGHT BY TYCO ELECTRONICS CORPORATION. ALL INTERNATIONAL RIGHTS RESERVED.

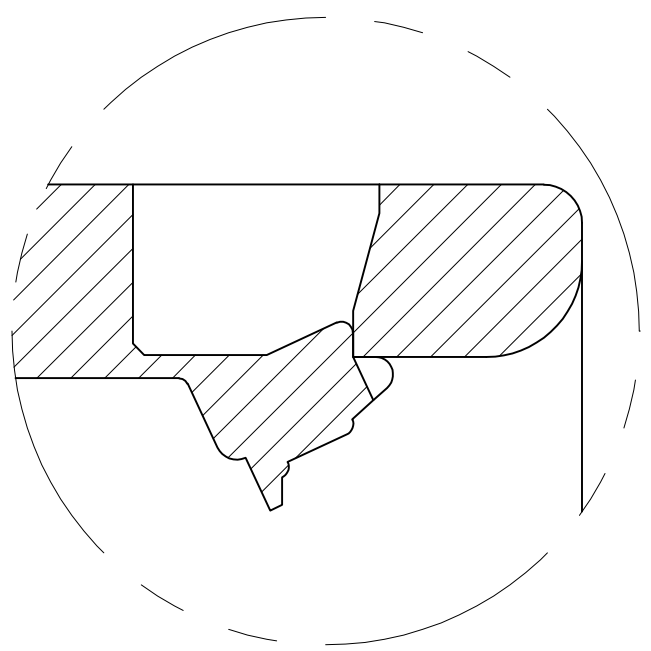
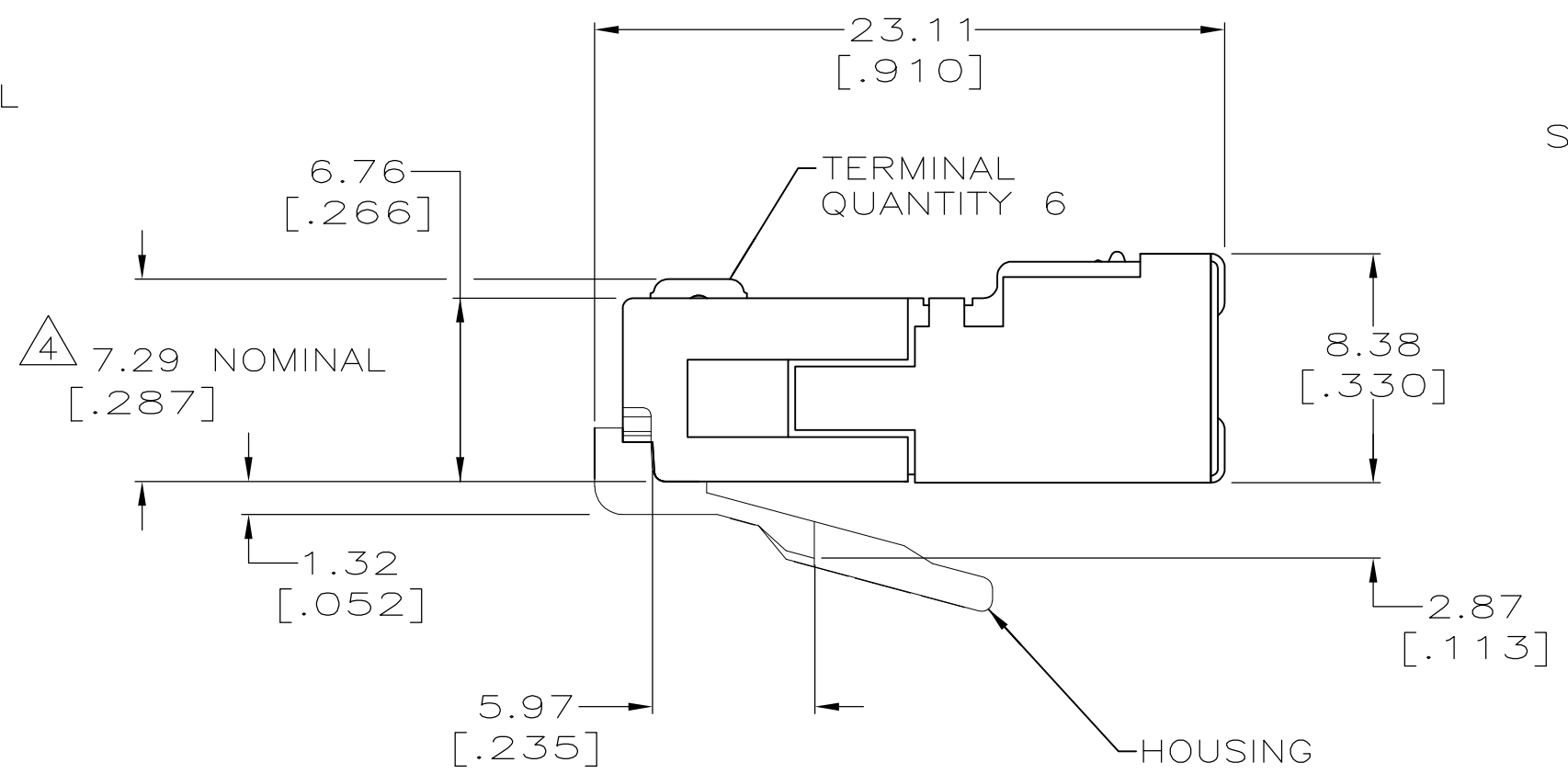
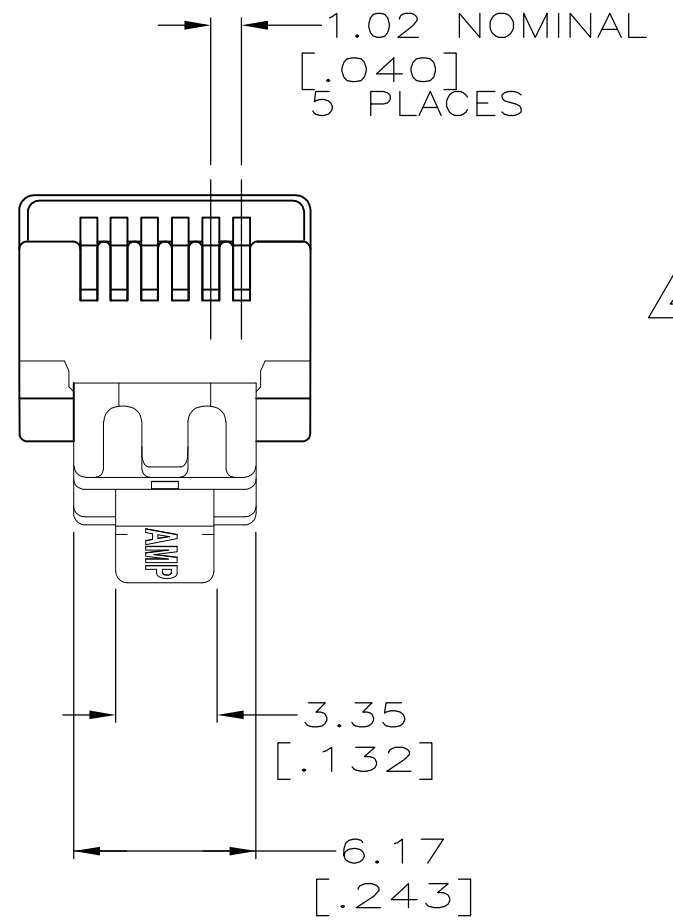
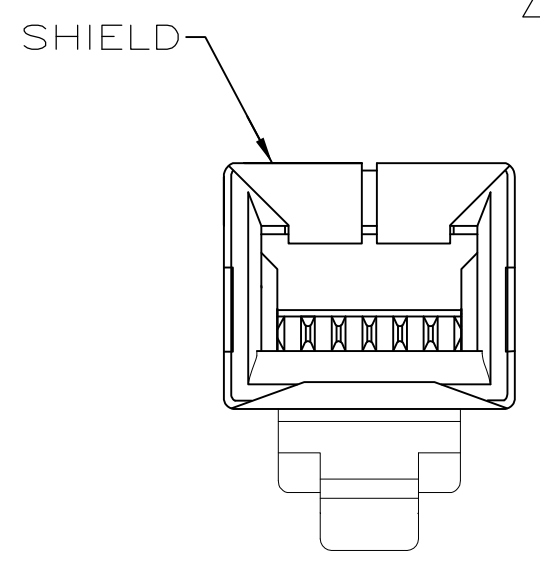
LOC	DIST	REVISIONS			
P	LTR	DESCRIPTION	DATE	DWN	APVD
HM	00	H	REV; ECO-08-020668	27AUG08	GG BM



⚠ MATERIAL: HOUSING - POLYCARBONATE, CLEAR.
 TERMINAL - 0.36[.014] THICK PHOSPHOR BRONZE PLATED WITH 1.27 μ m[.000050] THICK GOLD IN LOCALIZED GOLD PLATE AREA, GOLD FLASH OVER THE REMAINDER, OVER 2.54 μ m[.000100] THICK NICKEL UNDERPLATE.
 SHIELD - 0.25[.010] THICK COPPER ALLOY, SATIN NICKEL PLATED.

- ALL DIMENSIONS SHOWN ARE MAXIMUM UNLESS OTHERWISE SPECIFIED.
- PLUG WILL ACCEPT 0.74-0.99[.029-.039] DIAMETER STRANDED WIRE, 26 OR 28 AWG, WITH A .110 x .270 MAXIMUM JACKET.
- TERMINATED DIMENSION: 6.15[.242] MAXIMUM.
- LATCH SHALL BE IN POSITION SHOWN IN DETAIL "A" AFTER CRIMPING.

⚠ 500 ASSEMBLIES PER PACKAGE.



⚠ DETAIL A
 LATCH POSITION AFTER CRIMPING
 SCALE 10:1

LEAD FREE

⚠	LOOSE PIECE	5-555174-2
PACKAGED	DESCRIPTION	PART NUMBER

THIS DRAWING IS A CONTROLLED DOCUMENT.		DWN VIC SLACK 11 MAR 87	Tyco Electronics Corporation	
DIMENSIONS: mm [INCHES]		CHK BOB FOX 16 MAR 87	Harrisburg, PA 17105-3608	
TOLERANCES UNLESS OTHERWISE SPECIFIED:		APVD GENE REED 31 MAR 87	NAME	
0 PLC ± -	1 PLC ± -	PRODUCT SPEC	MODULAR PLUG ASSEMBLY, 6 POSITION, LONG BODY, SHIELDED, FLAT OVAL CABLE, STRANDED WIRE	
2 PLC ± 0.13[.005]	3 PLC ± -	APPLICATION SPEC	SIZE A2	RESTRICTED TO
4 PLC ± -	ANGLES ± -	WEIGHT -	CAGE CODE 00779	DRAWING NO C=555174
MATERIAL - ⚠	FINISH - ⚠	CUSTOMER DRAWING	SCALE 4:1	SHEET 1 of 1
			REV H	

- 555174